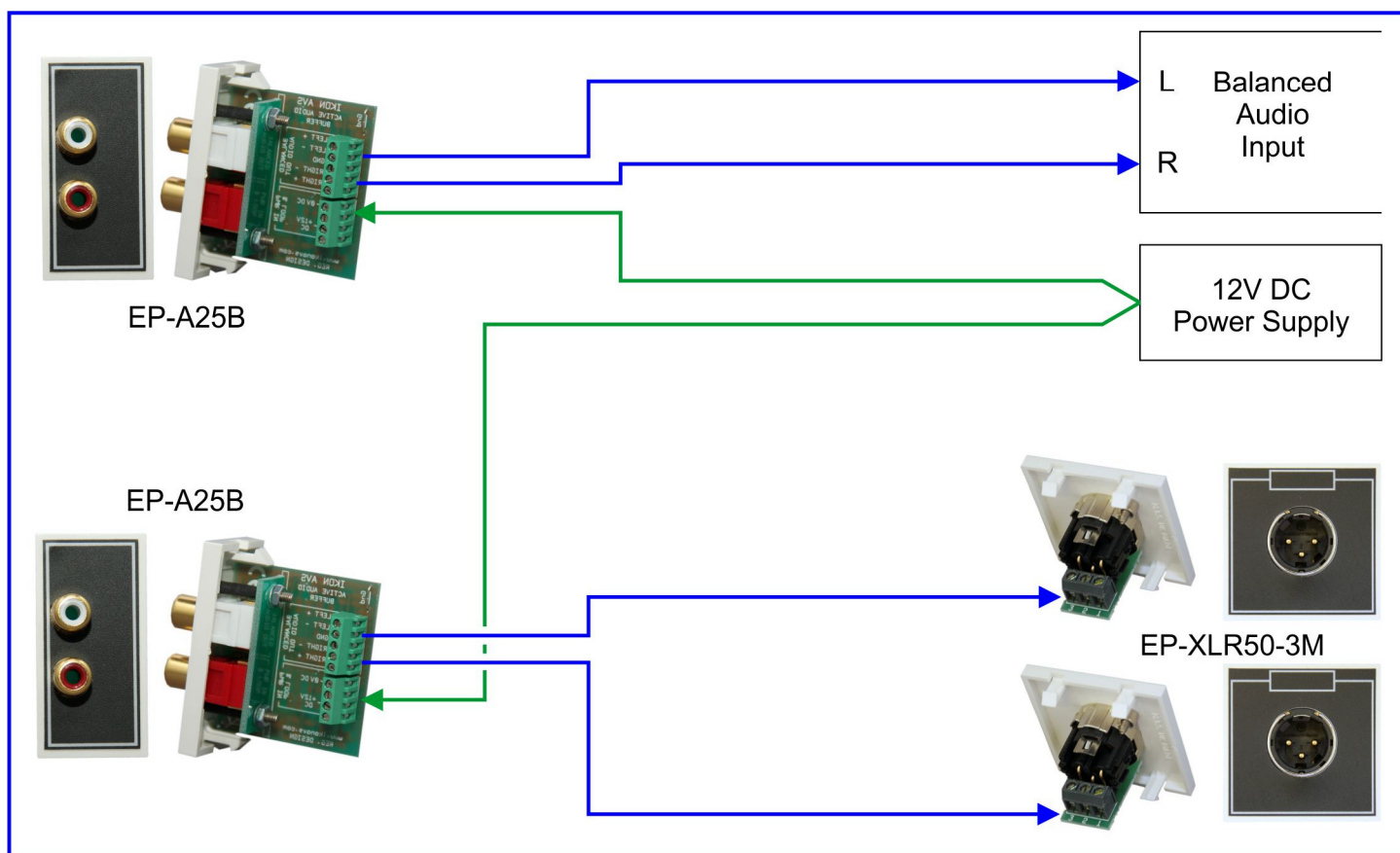


Audio Buffers & Balancing Adapters

Converting unbalanced audio on RCA connectors to balanced line



Typical Use

Converting a stereo, unbalanced audio input into a pair of fully balanced signals and buffering the signal to drive in excess of 50m.

Description

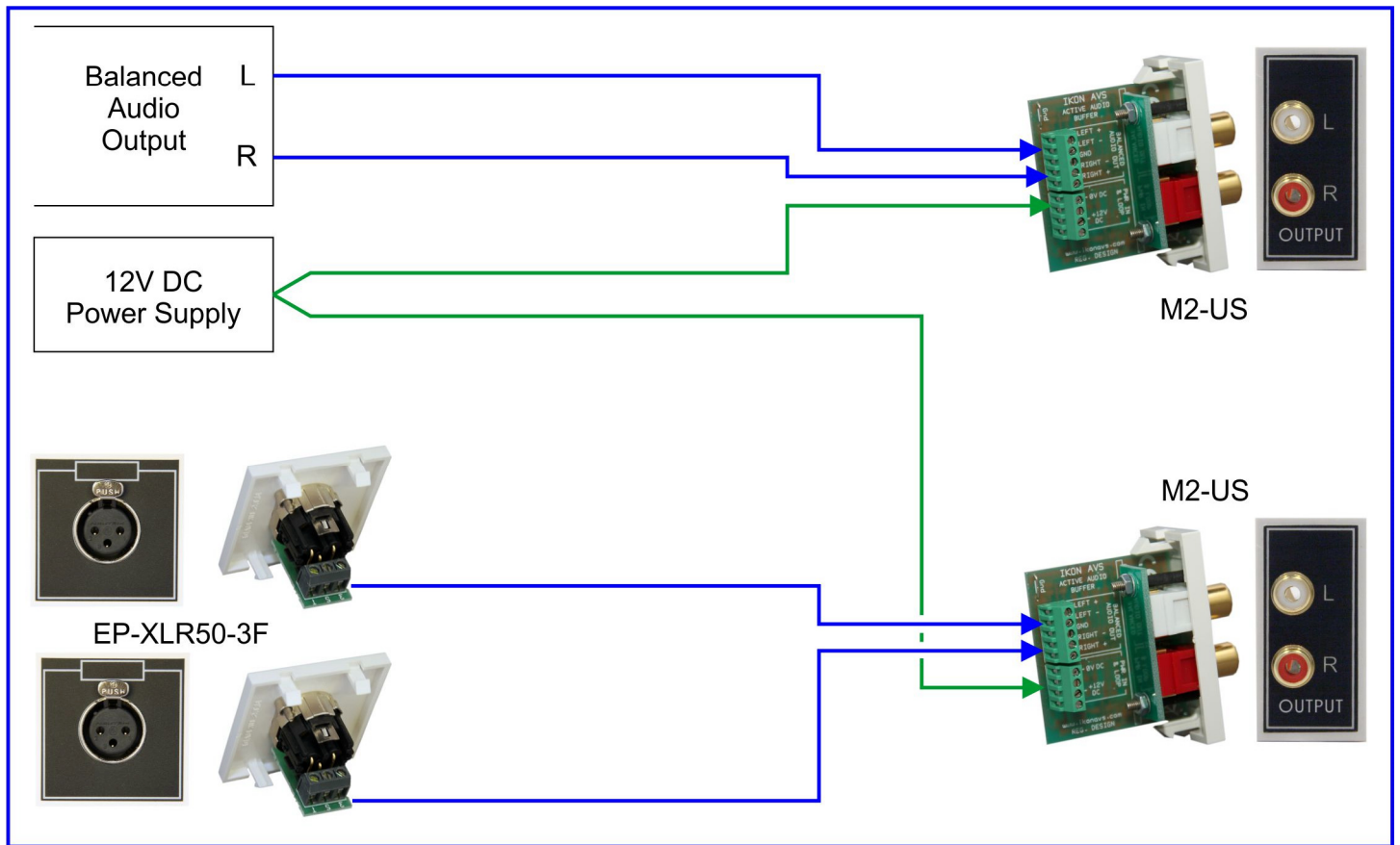
The EP-A25B module is used for the signal conversion and buffering presenting the balanced connection on screw terminals. 12V DC power at 40mA is required but the connections for this allow a single power supply to loop to additional modules.

Two alternative terminations are shown. In the upper diagram the balanced cables are connected directly into the audio equipments balanced input. In the lower diagram the output is presented on separate XLR sockets.

Cabling

The remote equipment should be connect by either 2 x Twin screened cables that each utilise a twisted pair within an overall screen or via a dual version. The use of starquad for both pairs is also suitable. It is also possible to use a Screened cat5 cable for the same purpose (Cat5-STP) with this having the added advantage of containing additional cores for the 12V DC power required for the module.

Converting balanced audio to unbalanced RCA connectors



Typical Use

Converting a balanced stereo audio input into a pair of unbalanced signals suitable for feeding the RCA input of an amplifier or audio processor.

Description

The M2-US module is used for the signal conversion and line driving. Inputs are on screw terminals with the unbalanced audio signal presented on a pair of RCA sockets. 12V DC power at 40mA is required but the connections for this allow a single power supply to loop to additional modules.

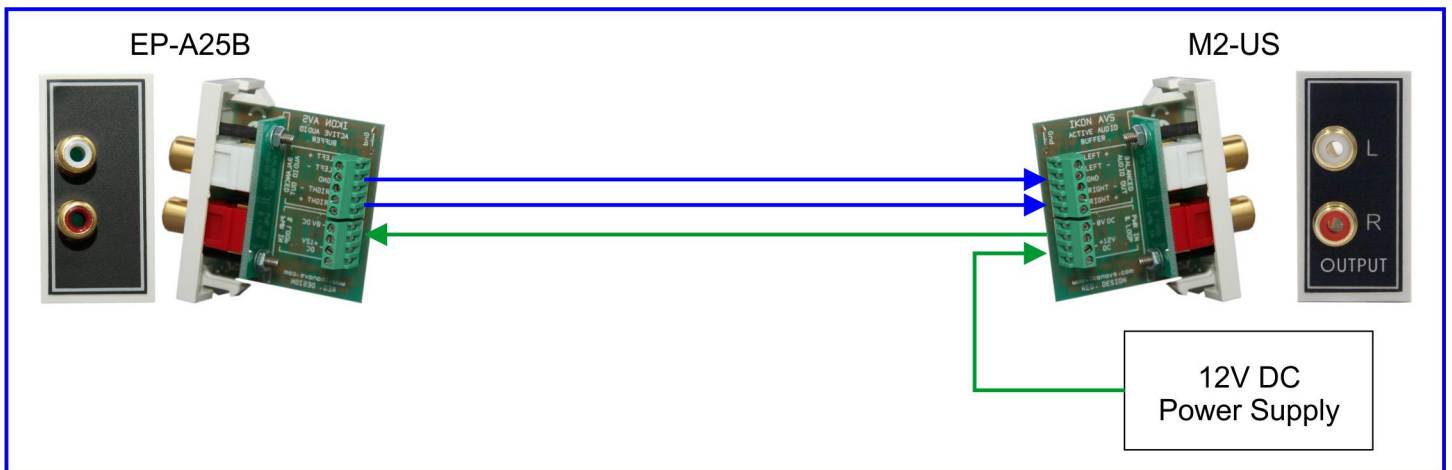
Two alternative terminations are shown. In the upper diagram the balanced signal originates directly from the source equipment whilst in the lower version it is connected via XLR sockets.

Cabling

The remote equipment should be connected by either 2 x Twin screened cables that each utilise a twisted pair within an overall screen or via a dual version. The use of starquad for both pairs is also suitable.

It is also possible to use a Screened cat5 cable for the same purpose (Cat5-STP) with this having the added advantage of containing additional cores for the 12V DC power required for the module.

Extending the range of an unbalanced audio signal

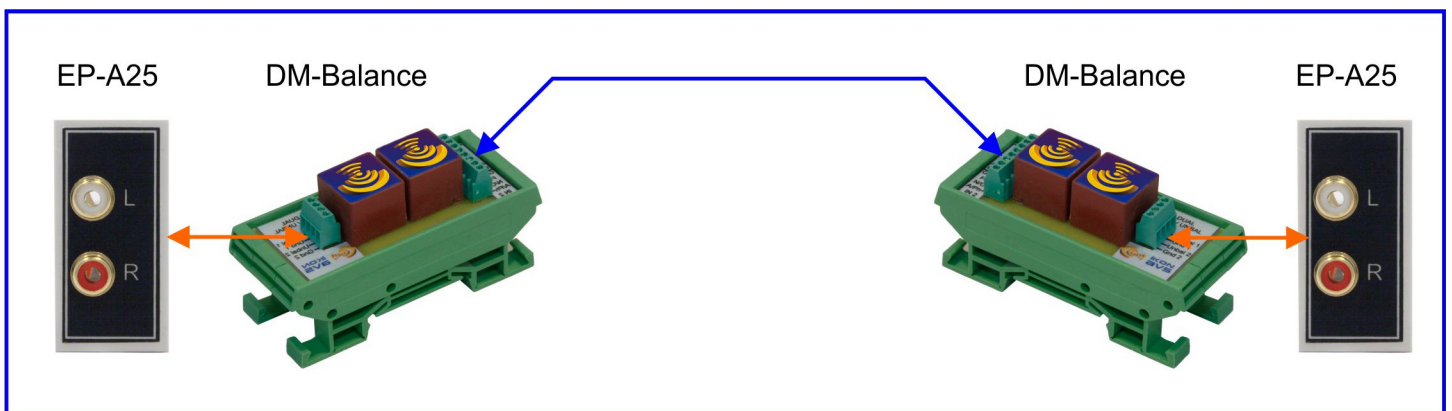


Cabling

Connect by either 2 x Twin screened cables that each utilise a twisted pair within an overall screen or via a dual version. The use of starquad for both pairs is also suitable. Use another Twin screened or similar for the DC power.

It is also possible to use a Screened cat5 cable for the same purpose (Cat5-STP) with this having the added advantage of containing additional cores for the 12V DC power required for the module.

Passive, bi-directional alternative



Description

A totally passive solution using 2 x DM-Balance adapters.

Unbalanced connections are to the EP-A25 modules that are connected via either 2 x Single Screened or 1 x Twin screened cables into the UNBAL side of the DM-Balance. The BAL sides of the DM-Balance are linked via either 2 x twin screened cables or a single starquad.

Signal screen can be connected as looped through, at either or both ends, or floating.