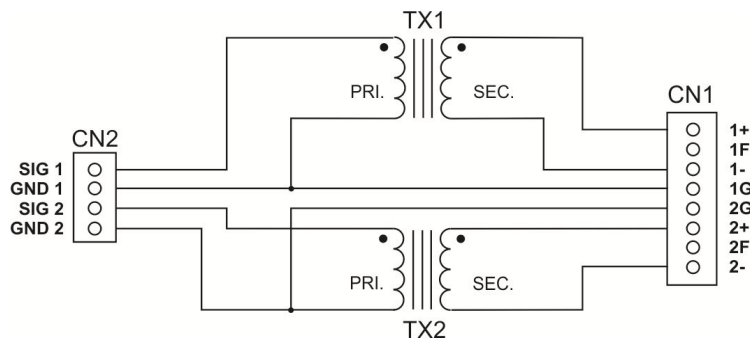


DM-Balance

The Ikon DM- Balance is intended for line level operation nominally at 0dBu. The maximum input level is +10dBu. It can be used to convert between balanced and unbalanced audio signals or just provide ground isolation.

Schematic



Installation

The DM-Balance is intended for mounting onto a 35mm DIN rail. It is also provided with four mounting holes allowing the PCB to be removed from the housing and mounted via M3 pillars (not supplied). Please ensure that all connections are via the screw terminals only. Use a 1.6mm (max 1.8mm) flat bladed screwdriver.

Connections



Balanced

For connection of the balanced equipment:-
1+ & 2+ are the Phase (Hot) connection,
1- & 2- are the antiphase (Cold) connections.

For the screen of the balanced cable use:-
1F & 2F to keep the balanced and unbalanced
screen isolated.
1G & 2G to connect the balanced screen to the
unbalanced ground.

Unbalanced

For connection of the unbalanced equipment:-

The unbalanced connection is SIG and the
respective GND for the screen / common.

The two GND connections ARE NOT connected
together internally.

Typical Uses Only 1 channel shown

Balanced to Unbalanced adapter with ground isolation.

Unbalanced Side		Balanced Side
Signal to SIG 1		Phase (Hot) to 1+
Ground to GND 1		Anti-Phase (Cold) to 1-
		Screen to 1F

Balanced to Unbalanced adapter without ground isolation.

Unbalanced Side		Balanced Side
Signal to SIG 1		Phase (Hot) to 1+
Ground to GND 1		Anti-Phase (Cold) to 1-
		Screen to 1G

Balanced to Balanced adapter with ground isolation.

Unbalanced Side		Balanced Side
Phase (Hot) to SIG 1		Phase (Hot) to 1+
Anti-Phase (Cold) to GND 1		Anti-Phase (Cold) to 1-
Screen is not connected		Screen to 1F

Unbalanced to Unbalanced adapter with ground isolation.

Unbalanced Side		Balanced Side
Signal to SIG 1		Phase (Hot) to 1+
Ground to GND 1		Ground to 1-

Electromagnetic Compatibility

This equipment has been designed, manufactured and tested to conform to the European EMC directives EN55103-1 & EN55103-2 for classifications E2 and E4.

Manufacturers & Warranty Information

The iKON AVS products are manufactured in England by Nebula Audio Ltd.

For service or warranty advice please initially contact your supplier. Alternatively contact the manufactures at:-

Website:- www.ikonavs.com

Technical support e-mail:- support@ikonavs.com