

Connecting & Using the LVC-51 Volume Control

Installation

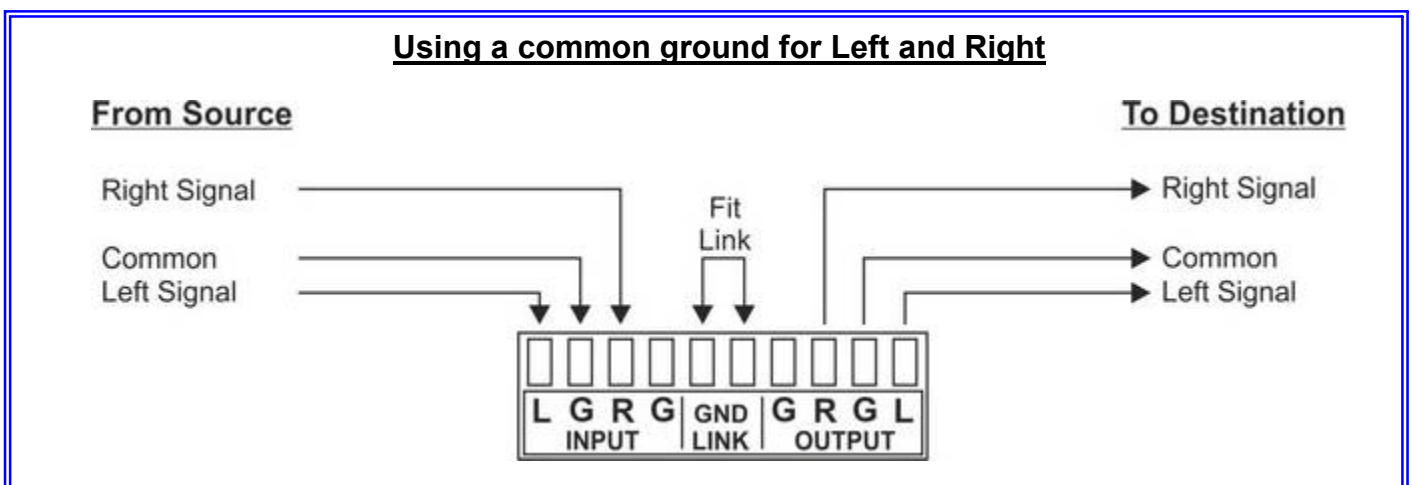
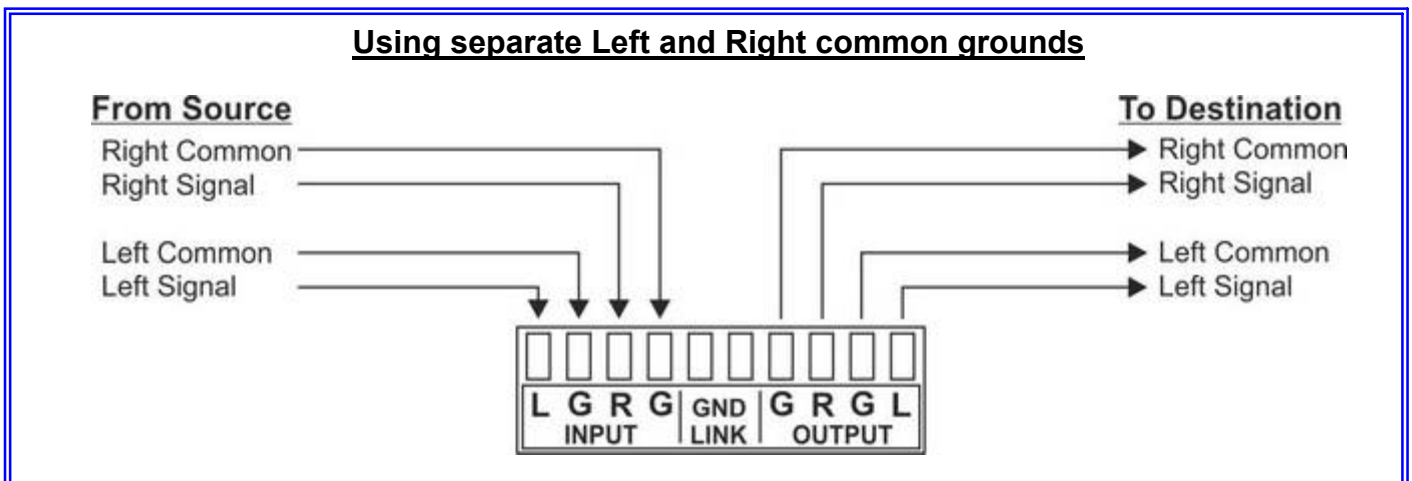
Mechanical installation and connection of the LVC-51 series volume controls should be carried out before any power is applied to the attached equipment. The LVC-51 series should not be used in areas of extreme heat or moisture.

The LVC-51 series are designed for use with a standard 50mm high aperture single or double euro panel frame and will fit into a standard UK back box with a minimum depth of 35mm. They are 100% compatible with the iKON range of Euro Panels and accessories.

The LVC-51 is designed to work with line level signals and should not be wired to the speaker output of an amplifier.

Connections

All connections are by fixed screw terminals.



Always use screened cables for connection between the signal source and the LVC-51 as well as between the LVC-51 and the signal destination.