

Connecting the EtherPower 80

Installation

The EtherPower 80 is designed to be surface mounted on a flat surface. After removing the cover it will be seen that there are four easily accessible mounting holes.

Mechanical installation and connection of the EtherPower 80 should be carried out before any Mains power is applied. The EtherPower 80 should not be used in areas of extreme heat or moisture.

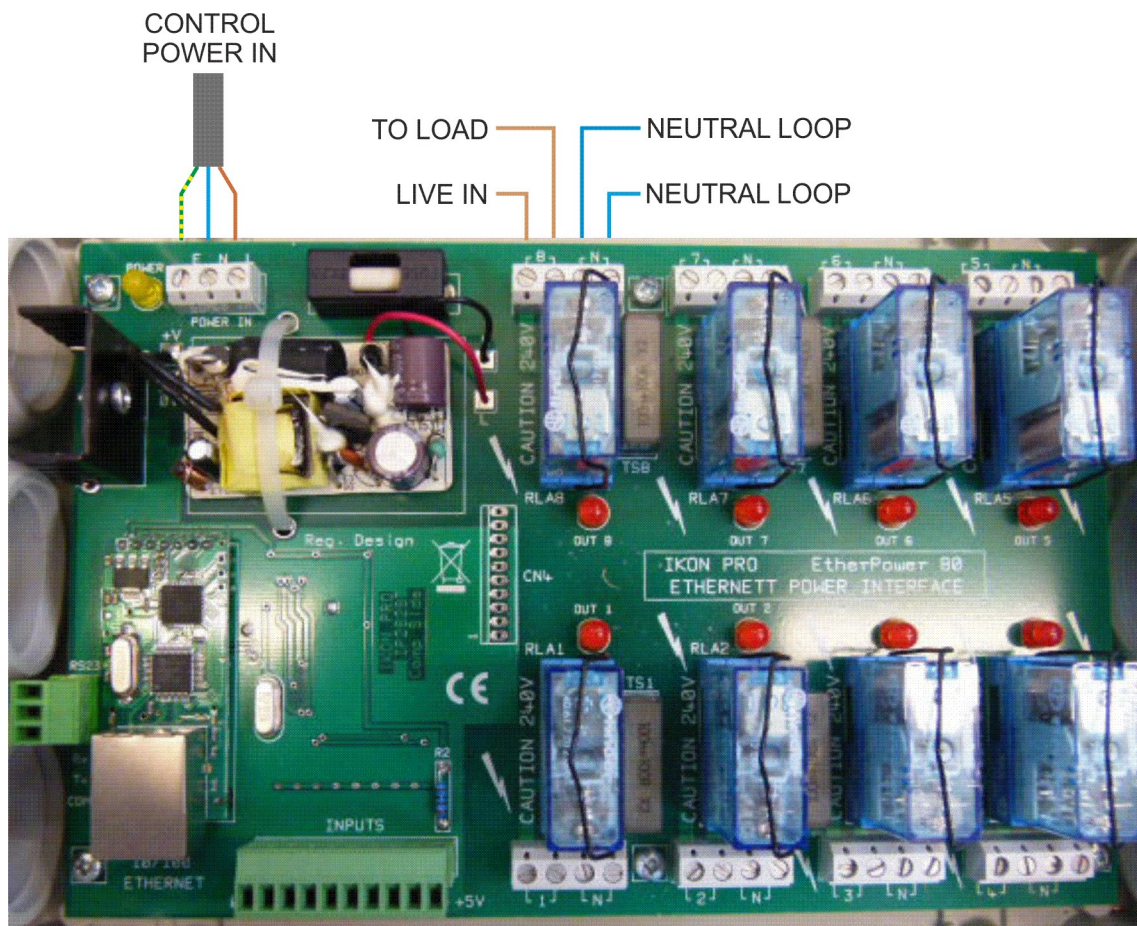
Power Connections

All mains power to and from the EtherPower 80 is via fixed screw terminals and should be made using suitable mains cable with the correct rating and carried out by a suitably qualified engineer.

A single feed can be used for both the control power input and power feeds to the relays. As supplied NO INTERNAL CONNECTIONS are made to the power relays leaving all 8 as isolated contacts. To switch power the 240V live should be taken to one of the numbered relay terminals.

- | | |
|------------------------|------------------------------------------------------------------------------------------------------------------------------------------------------------------------------------------------------------------------------------------------|
| Live to Relays. | Preferable feed each relay with a separate cable from the fuse box using suitably rated cable for the load. (10A and 240V max).
You can loop from one relay to the next but consider the load requirements to select a suitable cable size. |
| Live to Load | Take the live from the second of the numbered terminals to the live of the load via suitable cable. |
| Neutral to Load | These can be taken direct from the fuse box or can be looped via the two N terminals for each relay. |
| Earth to Load | These should be direct from the fuse box. If preferred an earth bar can be fitted into the enclosure but this is not included as standard. |

Typical Power connection diagram



Power connection to Relay 8 only shown.

Control Connections

The EtherPower 80 can be controlled by a combination of RS232, Ethernet and local contact inputs.

Ethernet Connection is via a standard RJ45 connector.

RS232 Connection via detachable screw terminals. The pin assignment is to the side of the socket.

Contact Inputs You can connect normally open push buttons to trigger each relay on and off. Connect the button between the numbered input and 0V.