

## USE

The Ikon RS232 Splitter is used to split a single RS232 Transmit to feed two receivers. It's typically used when two identical projectors are to be controlled from a single RS232 output.

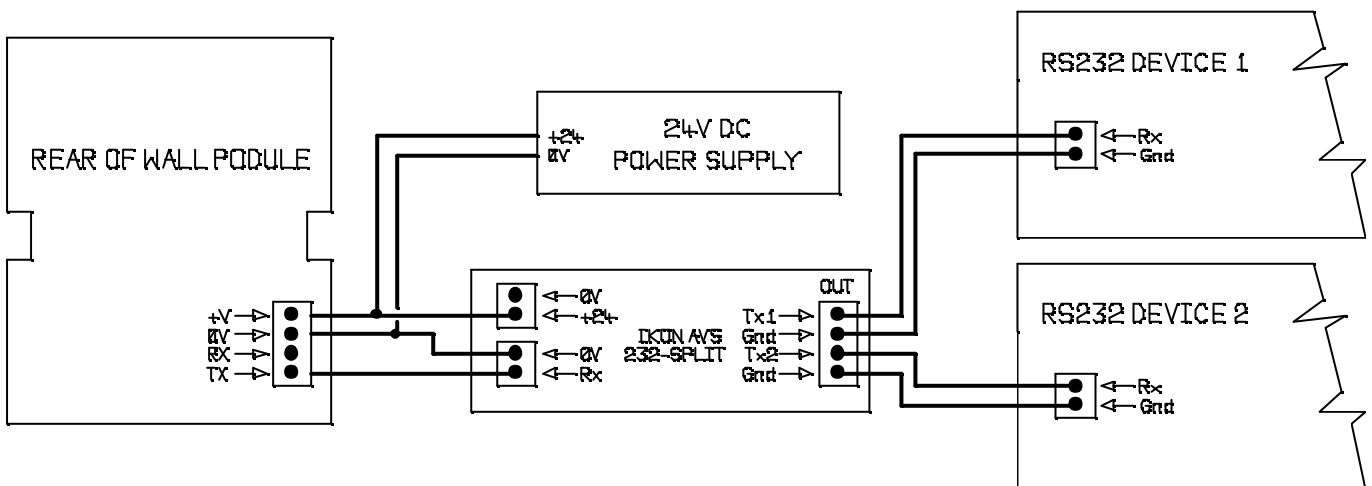
## Hardware & Connections

Please ensure that all connections are via the screw terminals only. Use a 1.6mm (max 1.8mm) flat blade screwdriver.

Two connectors are provided for inputs, one for DC between 12V and 24V and one for the RS232 input & ground from the source. The 0V inputs are common so if a common power supply is used only one needs connecting.

The four way output provided two separate RS232 transmits and ground for connection to the device to be controlled.

The following shows a typical connection scenario. Adapt to suit the equipment to be used.



The power supply needs to be between 12 and 24 Volts DC.

## Software

There are no software requirements for operation.