

Connecting the SC-AMP CONTROLLER

Installation

Mechanical installation and connection of the SC-AMP should be carried out before any power is applied. SC-AMP's should not be used in areas of extreme heat or moisture.

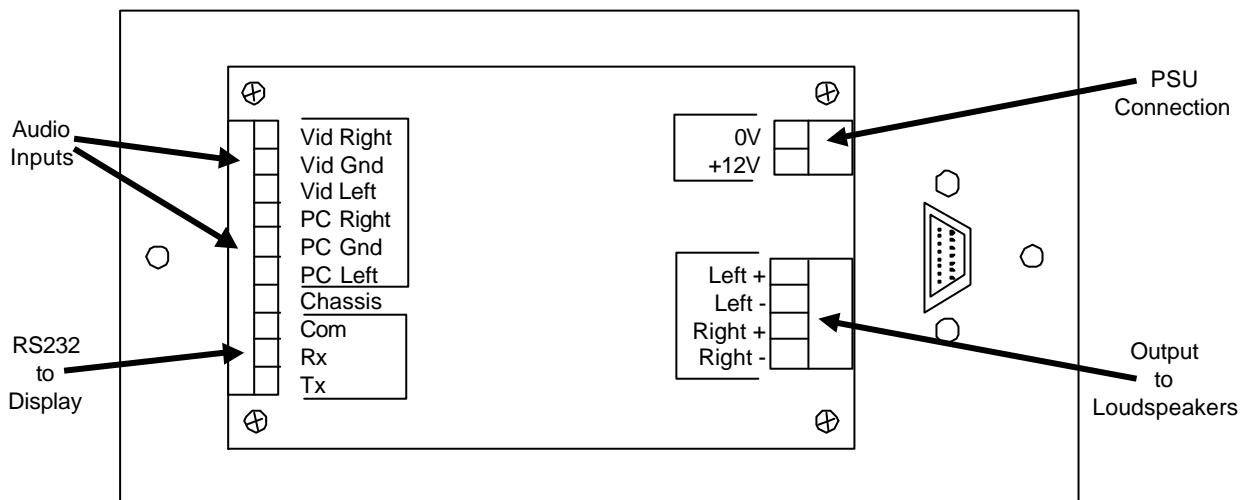
The SC-AMP is designed for mounting into a standard UK back box with a minimum depth of 35mm. If possible a 47mm deep box is preferred.

Local Connections

All screw terminals have rear cable entry with the screws on the side.

It is necessary to remove the adapter board from the VGA socket for access to the DC power and loudspeaker connections. Removing the board does make connecting the VGA cable easier.

Important: Please verify polarity of the DC power supply before powering.



RS232

SC-AMP	Projector / Display
Tx	Rx
Rx	Tx
Com	Com / Gnd

Connect Tx and Com of the SC-AMP to Rx and Common (Ground) of the Projector/Display.

Connect DC power supply to +12v and 0V

For more detailed information on the SC-AMP please see the web site where you can download the SC-AMP Programming Software and associated Help Files.