

## Connecting the Synergy 1040 & 1080

### Installation

Mechanical installation and connection of the Synergy 1040 or 1080 should be carried out before any power is applied.

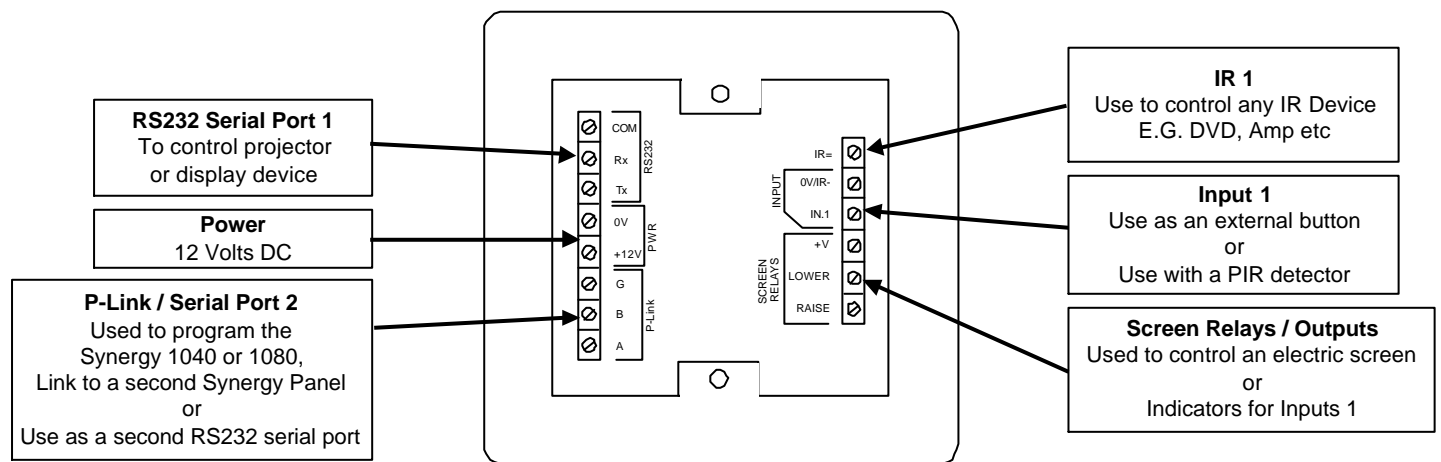
Synergy 1040's or 1080's should not be used in areas of extreme heat or moisture.

The Synergy 1040 or 1080 is designed for mounting into a standard UK back box with a minimum depth of 35mm. If possible a 47mm deep box is preferred.

### Local Connections

All connections are by plug in screw terminals connectors. These can be fitted vertical or horizontal.

**Important:** Please verify polarity of the DC power supply before powering.



Please see rear for connection details.

## Connections

### P-Link / Serial Port 2

| P-Link | Computer Serial Port | Second Synergy Panel | AU4 | 2 <sup>nd</sup> RS232 Serial Port |
|--------|----------------------|----------------------|-----|-----------------------------------|
| A      | Pin 2                | B                    | Rx  | Tx                                |
| B      | Pin 3                | A                    | Tx  | Rx                                |
| G      | Pin 5                | G                    | Com | Com                               |

**Please note:**

Serial port 2 is only available on versions 1041, 1042, 1081 & 1082

### Power

| Synergy 1040 & 1080 | DC PSU |
|---------------------|--------|
| +12V                | +Volts |
| 0V                  | 0Volts |

### RS232

| Synergy 1040 & 1080 | Projector or Display Device |
|---------------------|-----------------------------|
| Tx                  | Rx                          |
| Rx                  | Tx                          |
| Com                 | Com or Ground               |

### Screen Relays

| Synergy 1040 & 1080 | SPC-PP1 | Indicators           |
|---------------------|---------|----------------------|
| RAISE               | RAISE   | 0 Volts for Input 1  |
| LOWER               | LOWER   |                      |
| +V                  | +V      | 12 Volts for Input 1 |

**Please note:**

Screen Relays Connection are to be connected to external relays for control of an electric screen, like the SPC-PP1 unit. **Do not connect these connections directly to the electric screen.**

### Inputs

| Synergy 1040 & 1080 |
|---------------------|
| <b>Input 1</b>      |
| IN.1                |
| 0V/IR-              |

**Please note:**

Input 1 is for external switches, key switches and PIR Detectors relay outputs. **Do not connect any voltages to these inputs.**

### IR Outputs

| Synergy 1040 & 1080 | IR Emitter |
|---------------------|------------|
| <b>IR1</b>          |            |
| IR=                 | +          |
| 0V/IR-              | -          |