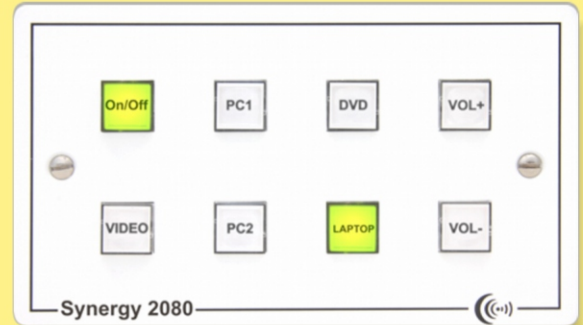
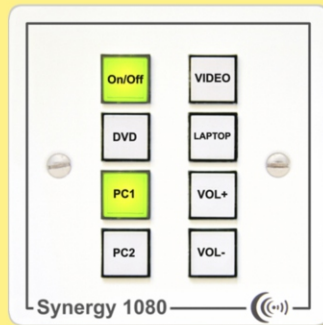
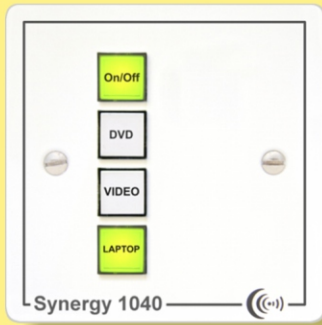


A range of controllers that offers much more than the individual parts - true Synergy!

Quick and easy programming combined with simplicity of expansion and flexibility of linking.

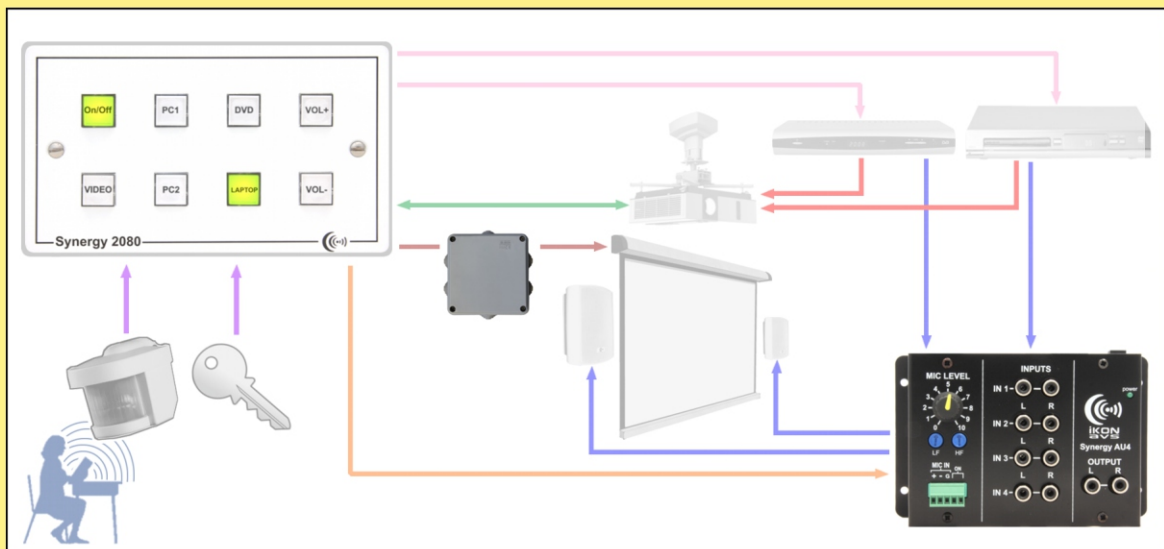
Quick and easy programming, combined with extensive onboard facilities and simplicity of expansion, are key benefits of this innovative new range



The Synergy controllers are available in a number of formats to provide cost effective, easily configured control with a comprehensive range of onboard facilities:

- A bi-directional RS232 port gives control over projectors, displays and other RS232 devices.
- IR port(s) supporting emitters for control of devices such as video players, receivers and amplifiers.
- One input can be used with an external PIR sensor for room occupancy sensing or used as an extra button input which can operate independently from or in parallel with a main panel button. The 2080 has a second input which can provide panel locking, remote power down or as an additional external button.
- Two outputs can be configured to control motorised screens*, control projector lifts*, control projector power switching*, be controlled independently by any button including timed functions or as indication of external buttons.

Synergy panels all fit a standard depth UK back box and are provided with detachable screw terminals for ease of installation.



Synergy AU4 audio controllers are available for use as a Synergy expansion device connected via the Syn-Link port and require no additional programming other than assigning buttons to inputs on the main control panel software. All AU4 controllers feature a microphone input that is mixed with the program audio and the microphone can be muted via either a dedicated switch or via the Synergy panel.

The AU4 range can also be used with the iKON AVS SPC range of controllers or as a 'stand alone' RS232 controlled input selector and volume control.

The AU4 audio controller is currently in two versions:

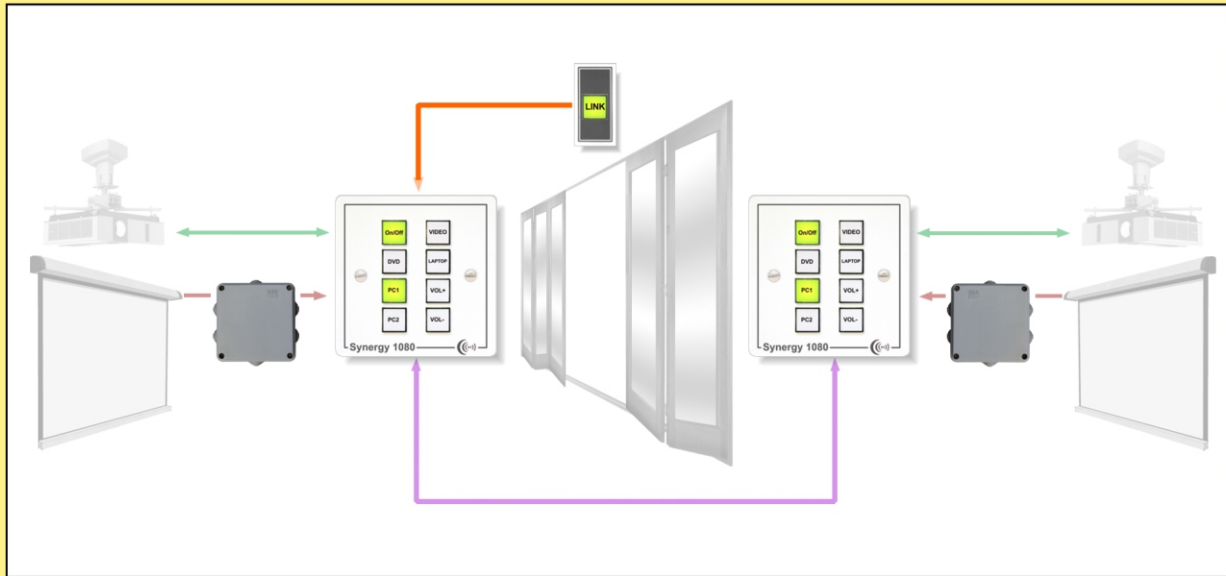
- AU4L provides line level outputs on phono sockets.
- AU4P as the AU4L but also incorporates a 10 watt per channel amplifier.

*external relays required

Syn-Link port

The Syn-Link port provides linking of panels in multi-room systems, connection to Synergy peripherals, control from a PC or RS232 serial.

Using the Syn-Link port, panels can be linked as either Master / Slave, Slave / Master or Dual Master configurations with no software overheads or additional programming. Switching between linked operation and stand alone can be controlled by any button or via one of the control inputs.

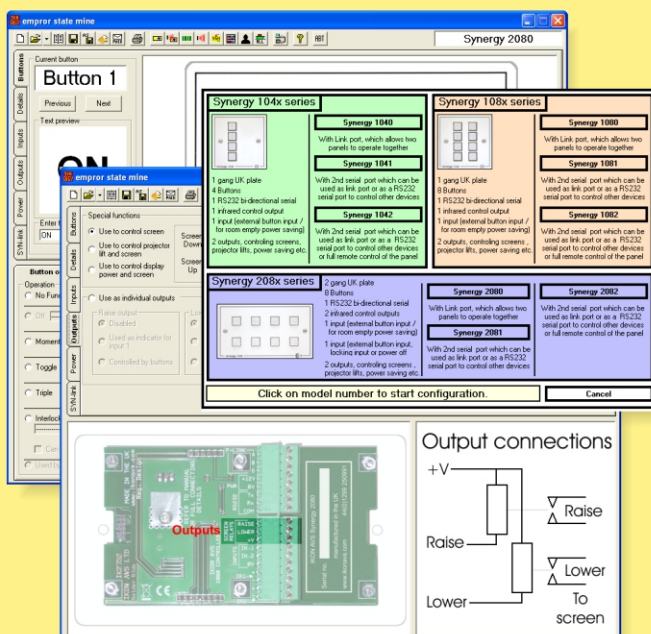


The Syn-Link port can connect the Synergy to a PC. Once connected the software application (SynSym) generates a simple graphical representation of the Synergy panel on the PC and enables full two way operation.

The port can be upgraded to operate as a second bi-directional serial port to control further equipment.

The port can be upgraded further to allow the panel to be controlled by Touch Controls, Ethernet systems and BMS interfaces.

Software



The Windows based application available from www.ikonavs.com/synergy is used to configure all Synergy controllers. Using a simple menu structure with 'drag and drop' configurations along with both central and user created libraries for both RS232 and IR functions, panels can be quickly and easily configured.

Extensive help panels and pop-up tool-tip help are available throughout the program, making it extremely intuitive to operate. Context sensitive connection diagrams and location images provide installation information throughout. Automatic button label generation and printing is also included within the software.

| SYNERGY FEATURES | | | | |
|-------------------------|---|--------------|-------------|-------------|
| Attributes | Details | Model | | |
| | | 1040 | 1080 | 2080 |
| User definable buttons | With internal LED illumination and can be user labelled. Automatic label generation and printing is included as part of the configuration software. | 4 | 8 | 8 |
| Bi-directional RS232 | For control of displays or any other RS232 devices. Load from libraries or user configurable. | 1 | 1 | 1 |
| IR Port | Each supports IR emitters for control of amplifier, players, receivers etc. Configure from built in libraries or captured codes. | 1 | 1 | 2 |
| Outputs | Open collector outputs for external relays, indicators etc. Built in screen, lift and power control routines. | 2 | 2 | 2 |
| Inputs | For use with external switches, PIR etc for additional control function or shutdown. | 1 | 1 | 2 |
| Syn-Link | RS232 port used for programming and the linking of panels. Also used to connect other Synergy peripherals (e.g. AU4 Audio controller). Software keys allow its use as a second fully configurable RS232 port for control, or use with a PC running WinSyn for full GUI control. | 1 | 1 | 1 |
| Screw terminals | Detachable screw terminals are used for all outgoing and power connections for ease of installation. | | | |

iKON AVS Ltd,
Unit 238, Ikon Trading Estate,
Droitwich Rd, Hartlebury,
Worcestershire, DY10 4EU
United Kingdom.

Tel: +44 (0) 1299 250991
Fax: +44 (0) 1299 250983
email: sales@ikonavs.com
web: www.ikonavs.com

